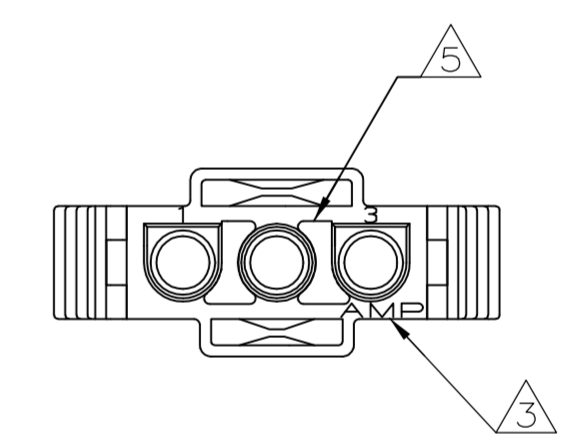


- 1. BULK PACKAGED, UNASSEMBLED.
- 2. APPROVAL AGENCY LOGO LOCATED APPROXIMATELY AS SHOWN.
- 3. AMP LOGO LOCATED THIS SURFACE.
- 4. CIRCUIT NUMBER ONE IDENTIFICATION BUTTON AND CIRCUIT IDENTIFICATION NUMBERS ARE EACH LOCATED ADJACENT TO THE APPROPRIATE CIRCUIT CAVITIES.
- 5. NEW MOLD CONSTRUCTION PROVIDES MATERIAL REDUCTION CORING AT BASE OF SILOS WITH NO CORING AS OPTIONAL.
- 6. DIMENSION INDICATED IS AS MOLDED. ADDITIONAL GROWTH DUE TO SUBSEQUENT MOISTURE ABSORPTION MAY OCCUR.



VIEW A-A
 SCALE 2:1

770018-1
 PART NUMBER

METRIC

THIS DRAWING IS A CONTROLLED DOCUMENT.		DWN K. SALMON 1-22-92	TE Connectivity	
DIMENSIONS: INCHES		CHK R. SWING 1-22-92	NAME PLUG HOUSING KIT, 3 CIRCUIT, IN-LINE, TM II UNIVERSAL MATE-N-LOK II	
TOLERANCES UNLESS OTHERWISE SPECIFIED:		APVD M. TRULL 1-22-92	PRODUCT SPEC	
0. PLC	± -	APPLICATION SPEC		
1. PLC	± -	WEIGHT		
2. PLC	± -	SIZE A1		
3. PLC	± 0.13 [.005]	CAGE CODE 770018		
4. PLC	± -	DRAWING NO 770018		
ANGLES	± -	RESTRICTED TO		
MATERIAL NYLON,UL94V-0,	FINISH -	CUSTOMER DRAWING		
		SCALE 5:1	SHEET 1 OF 1	REV E1